

**AUDIOVISUAL EQUIPMENT LEGEND**

DEVICE TYPE	FUNCTION	POWER REQUIREMENTS	TELECOM REQUIREMENTS
S	LOUDSPEAKER		
IO	INPUT / OUTPUT PANEL	(1) 120V 20A DUPLEX RECEPTACLE	
RS	ROOM SCHEDULER		(1) CAT 6A
SC	SCREEN CONTROL		
M	MICROPHONE		
CC	CABLE CUBBY		
CP	CONTROL PANEL		(1) CAT 6A
IR	IR EMITTER		
IS	INTERCOM STATION		
AT	AUDIO TELECONFERENCE DEVICE		
FB	FLOOR BOX/POKE THRU	(1) 120V 20A DUPLEX RECEPTACLE	(4) CAT 6A
FPD	FLAT PANEL DISPLAY	(1) 120V 20A DUPLEX RECEPTACLE	(2) CAT 6A
VP	VIDEO PROJECTOR	(1) 120V 20A DUPLEX RECEPTACLE	(2) CAT 6A
PS	PROJECTION SCREEN	(1) 120V 20A DUPLEX CIRCUIT	
STP	SHORT THROW PROJECTOR	(1) 120V 20A DUPLEX RECEPTACLE	
L	LECTERN	(1) 120V 20A DUPLEX RECEPTACLE	(4) CAT 6A
LR1	LECTERN WITH EQUIPMENT RACK - 28"D X 36"W	(1) 120V 20A DUPLEX RECEPTACLE	(4) CAT 6A
LR2	LECTERN WITH EQUIPMENT RACK - 28"D X 54"W	(1) 120V 20A DUPLEX RECEPTACLE	(4) CAT 6A
FR1	FURNITURE RACK - 1 BAY	(1) 120V 20A DUPLEX RECEPTACLE	(4) CAT 6A
FR2	FURNITURE RACK - 2 BAY	(1) 120V 20A DUPLEX RECEPTACLE	(4) CAT 6A
FR3	FURNITURE RACK - 3 BAY	(1) 120V 20A DUPLEX RECEPTACLE	(4) CAT 6A
ER1	EQUIPMENT RACK - XX	(1) 120V 20A DUPLEX RECEPTACLE	(4) CAT 6A
ER2	EQUIPMENT RACK - XX	(1) 120V 20A DUPLEX RECEPTACLE	(4) CAT 6A
.	.		
.	.		
.	.		
.	.		
.	.		
.	.		
.	.		
.	.		
.	.		
.	.		



8600 University Boulevard  
Evansville, Indiana

**HAFER**  
architects • designers • engineers  
www.hafersdesign.com

In association with:

**BFW**  
BACON | FARMER | WORKMAN  
ENGINEERING & TESTING, INC.

**MORLEY**  
ARCHITECTS | ENGINEERS | SURVEYORS

**N|V|5**

**Revisions:**

#	Description	Date

Designed By: Drawn By: Checked By:

The drawings, specifications and other documents, including those in electronic form prepared by Hafner for this project are instruments of service, and may be used solely with respect to this project. The documents may not be reproduced or modified by a third party without first obtaining the express written consent of Hafner. Authorized use of electronic media or files does not guarantee that these files contain complete and accurate information. In order to insure the accuracy of the information contained and that no changes or modifications have been made, these files must be compared to the project's contract documents with stamped and sealed certification and applicable approved modifications.

Sheet title:  
**LOWER LEVEL AUDIOVISUAL INFRASTRUCTURE PLAN - AREA 'B'**

Architect's Project No: 2306-238 Date: April 11, 2024

Drawing No:  
**AV2.0B**









In association with:



BACON | FARMER | WORKMAN  
ENGINEERING & TESTING, INC.



MORLEY  
ARCHITECTS | ENGINEERS | SURVEYORS

N|V|5

In-Progress Dwg Set

Not for Construction  
4/2/2024  
6:47:36 PM

#	Description	Date

Designed By: Drawn By: Checked By:

The drawings, specifications and other documents, including those in electronic form prepared by Halfer for this project are instruments of service, and may be used solely with respect to this project. The documents may not be reproduced or modified by a third party without first obtaining the express written consent of Halfer. Authorized use of electronic media or file does not guarantee that these files contain complete and accurate information. In order to insure the accuracy of the information contained and that no changes or modifications have been made, these files must be compared to the project's contract documents with stamped and sealed certification and applicable approved modifications.

Sheet title:

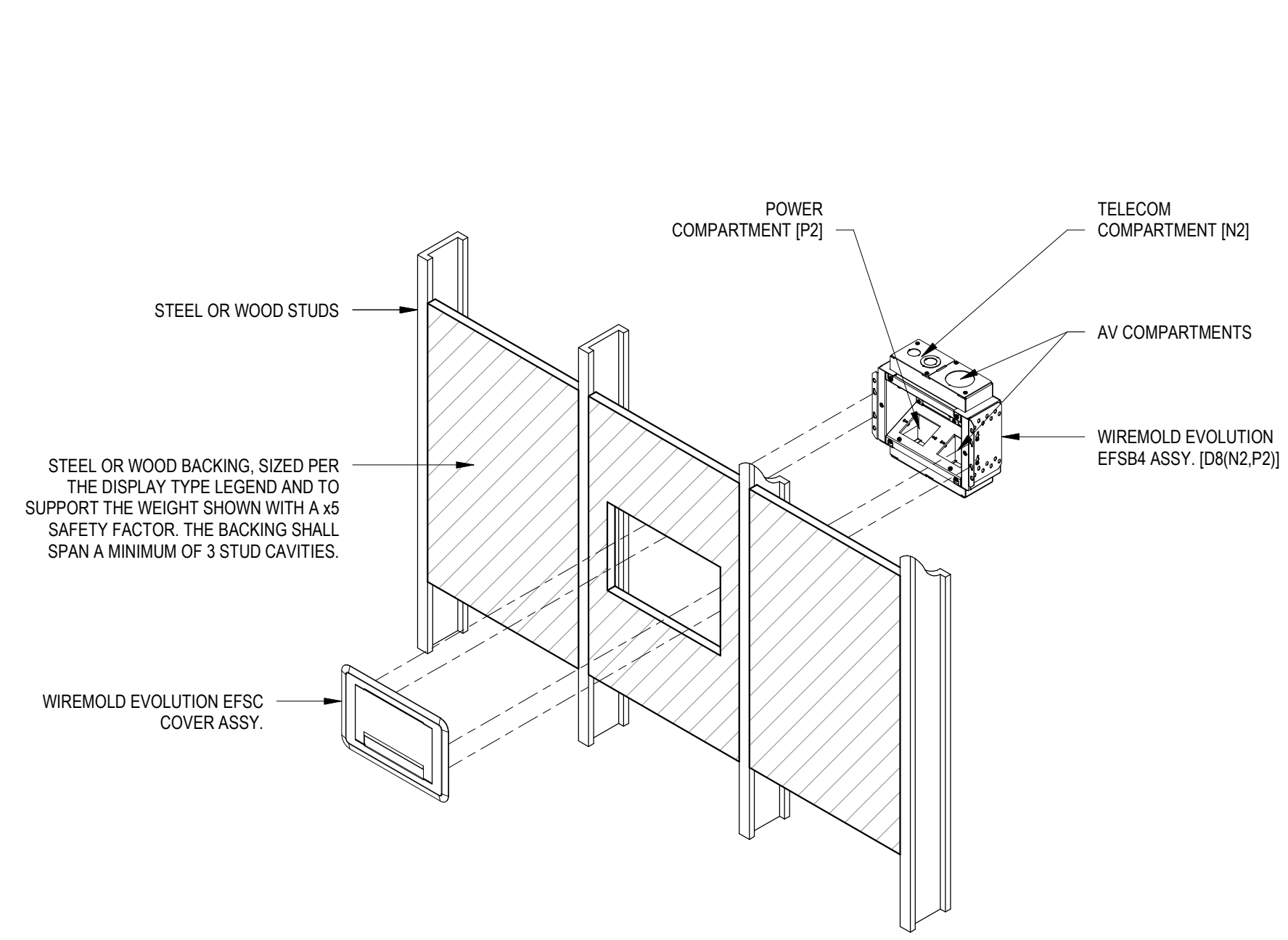
FLAT PANEL DETAILS

Architect's Project No: Date:

2306-238 APRIL 11, 2024

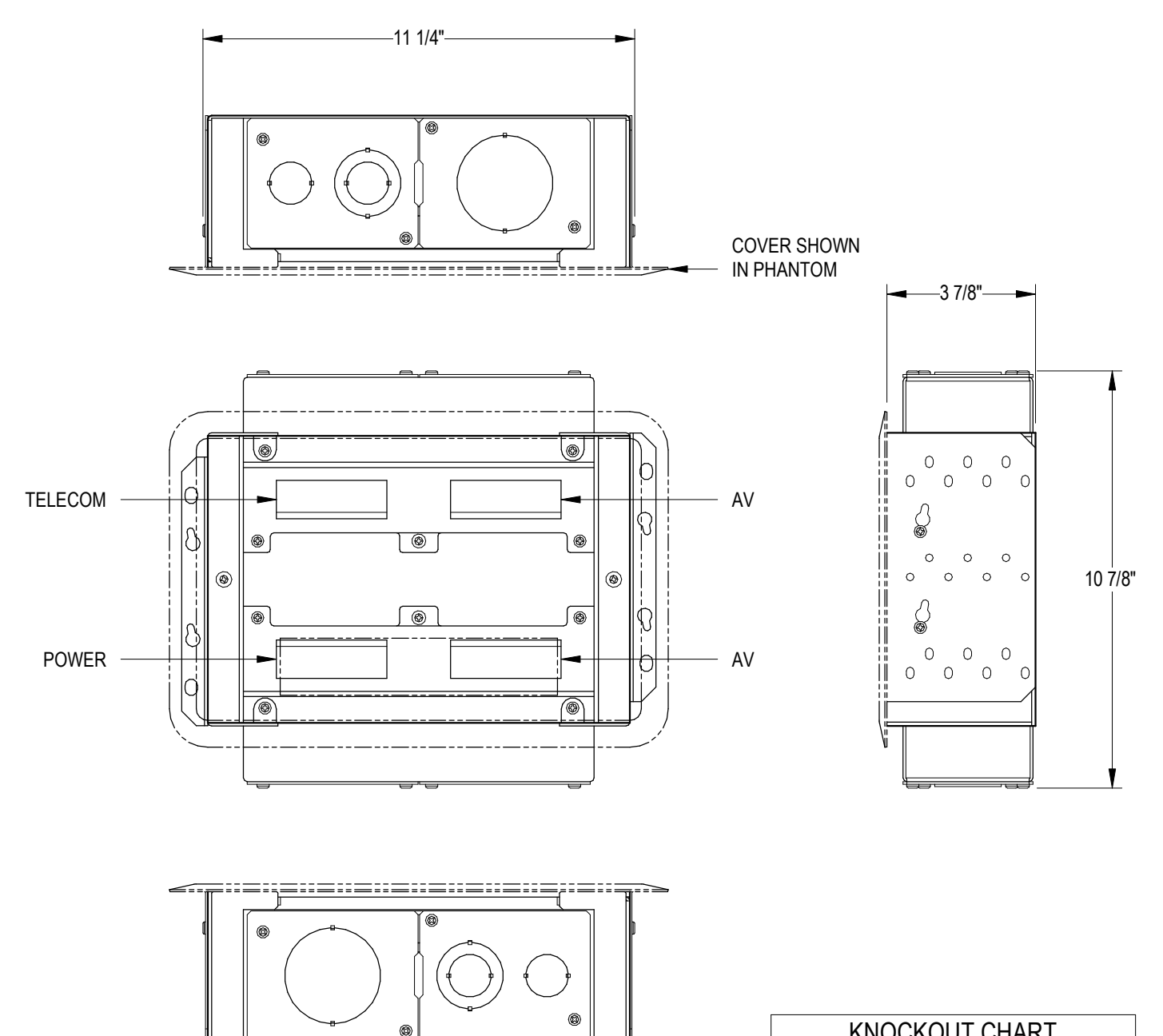
Drawing No:

AV0.02



- NOTES:
- BACKING CENTERED AT LOCATION OF FLAT PANEL DISPLAY.
  - ALWAYS SPAN BETWEEN AT LEAST THREE STUD CAVITIES.
  - SEE PARTITION TYPES FOR STUD SIZE AND MATERIAL.
  - VERIFY LOCATIONS OF BACKING WITH PLANS & ROOM ELEVATIONS.
  - FLAT PANEL DISPLAYS AND MOUNTING BRACKETS BY AV CONTRACTOR.

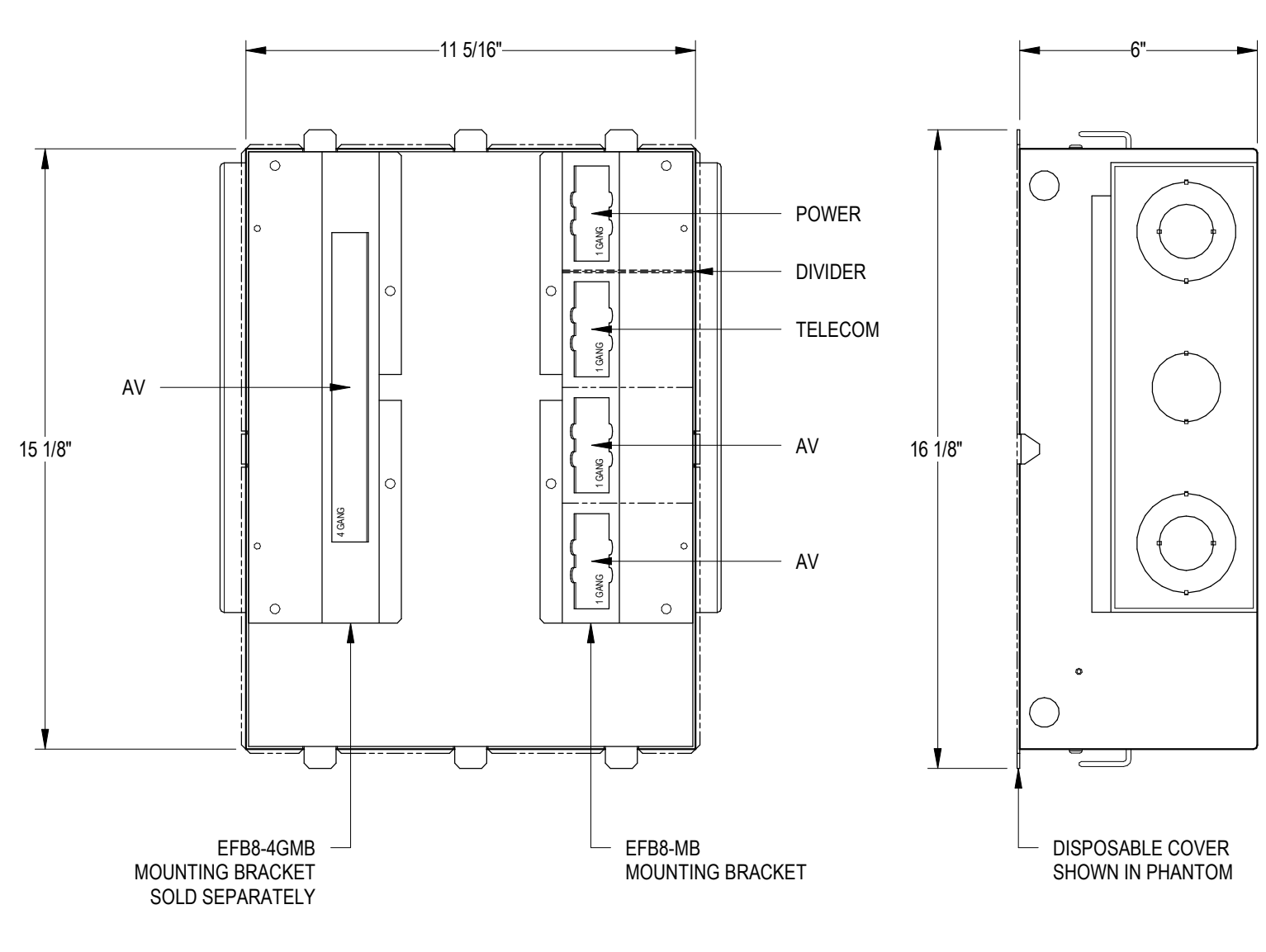
1 WIREMOLD EVOLUTION EFSB4 FLAT PANEL DISPLAY AND WALL BOX BACKING  
AV0.02 1" = 1'-0"



KO TRACE SIZE	LOCATION	QTY.
3/4"	TOP	1
3/4", 1-1/4"	TOP	1
2"	TOP	1
3/4"	BOTTOM	1
3/4", 1-1/4"	BOTTOM	1
2"	BOTTOM	1

- NOTES:
- BOX IS SUPPLIED WITH (2) 3/4" 1-1/4" KNOCKOUT PLATES AND (2) 2" KNOCKOUT PLATES. ADDITIONAL KNOCKOUT PLATES SHALL BE ORDERED AS NECESSARY TO MEET THE CONDUIT REQUIREMENTS FROM THE AUDIOVISUAL INFRASTRUCTURE ROOM RISERS AND THE TELECOM TYPICAL CONDUIT RISER.

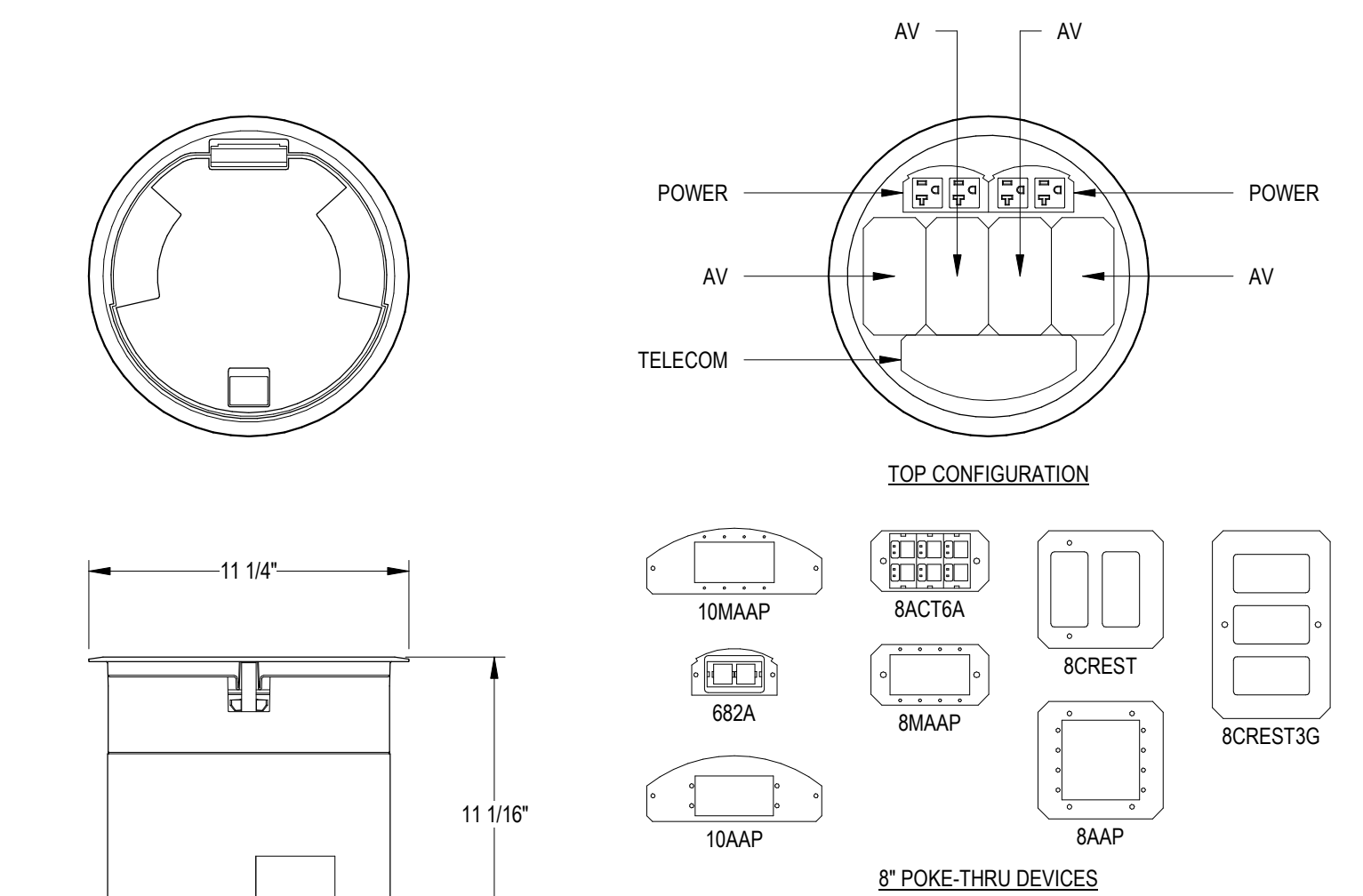
2 WIREMOLD EVOLUTION EFSB4 FLAT PANEL DISPLAY WALL BOX  
AV0.02 3" = 1'-0"



KO TRACE SIZE	LOCATION	QTY.
1-1/4"	FRONT & BACK	4
1"	BOTTOM	8
1", 2"	SIDES	4
1-1/4"	SIDES	2

- NOTES:
- KNOCKOUT PLATES SHOWN COME WITH THE BOX. ADDITIONAL KNOCKOUT PLATES SHALL BE ORDERED AS NECESSARY TO MEET THE CONDUIT REQUIREMENTS FROM THE AUDIOVISUAL INFRASTRUCTURE ROOM RISERS AND THE TELECOM TYPICAL CONDUIT RISER.
  - (2) EFSB4 MOUNTING BRACKETS COME WITH THE BOX. (1) EFSB4-MB MOUNTING BRACKET SHALL BE ORDERED SEPARATELY.

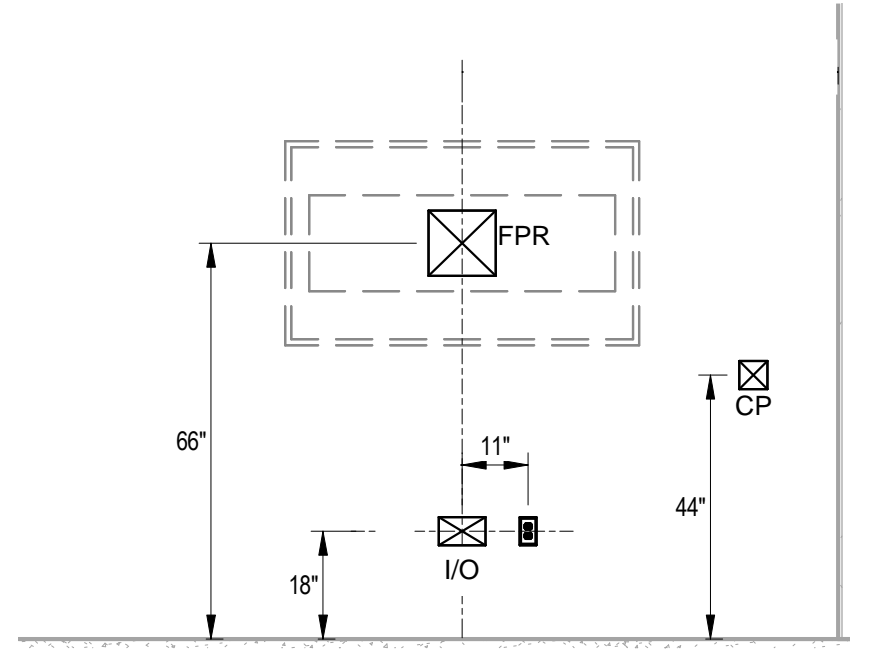
3 WIREMOLD EFSB8-OG 8-GANG FLOOR BOX W/ EFSB4-MB  
AV0.02 3" = 1'-0"



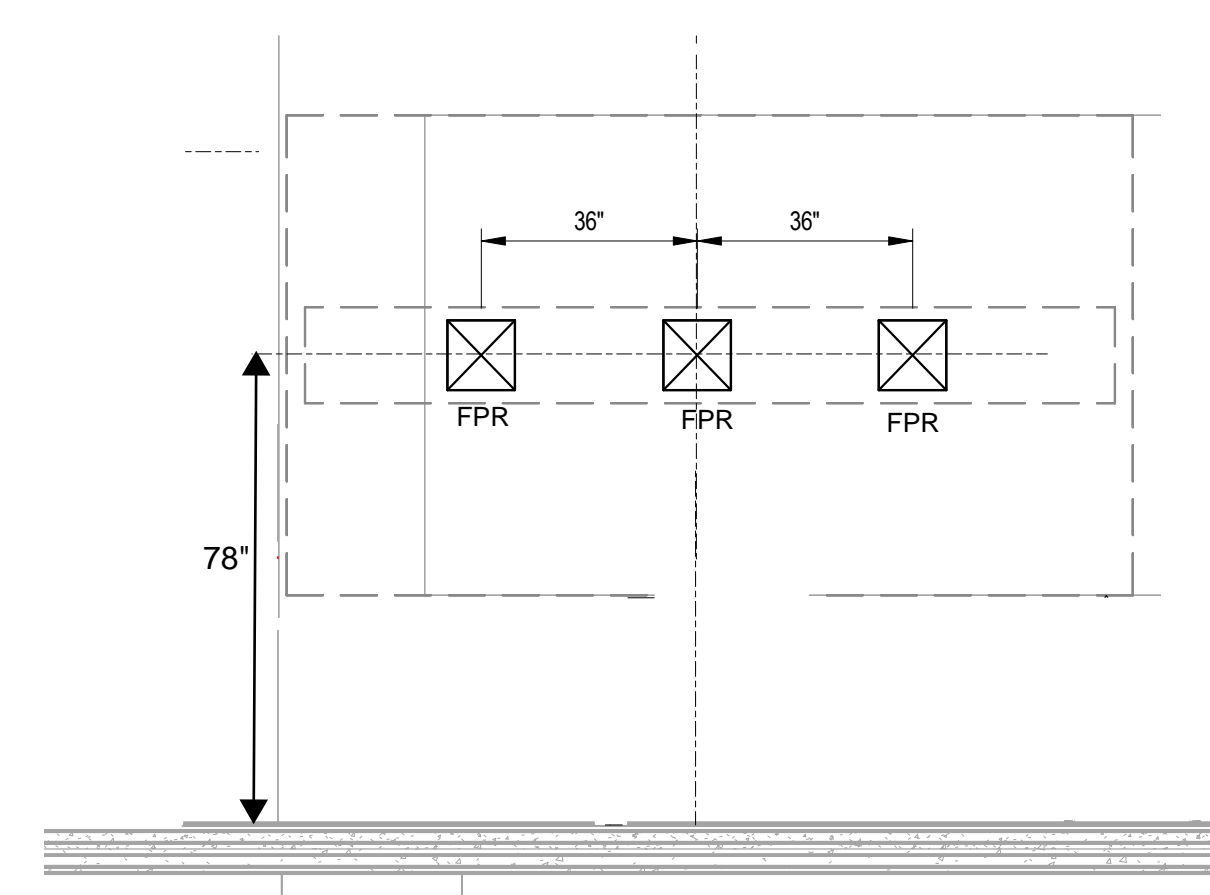
- INCLUDED COMPONENTS:
- 88REC 20A DUPLEX RECEPTACLES
  - 88DB DEVICE BRACKETS
  - 89PTA OUTER PASS-THROUGH HOUSING ASSEMBLY
  - 1P1HA 1-GANG PASS-THROUGH HOUSING ASSEMBLY
  - 18BLH EXTERIOR-GANG BLANK HOUSING ASSEMBLY
  - 1075CHA EXTERIOR-GANG 3/4" CONDUIT HOUSING ASSEMBLY

- NOTES:
- NO DEVICE PLATES ARE INCLUDED WITH THE POKE-THRU DEVICE PLATES SHALL BE ORDERED AS NECESSARY TO MEET THE TOP CONFIGURATION REQUIREMENTS.
  - BOTTOM FEED MOUNT ASSEMBLIES SHOWN ARE INCLUDED. ADDITIONAL BOTTOM FEED MOUNT ASSEMBLIES SHALL BE ORDERED TO MEET THE CONDUIT REQUIREMENTS FROM THE AUDIOVISUAL INFRASTRUCTURE ROOM RISERS AND THE TELECOM TYPICAL CONDUIT RISER.

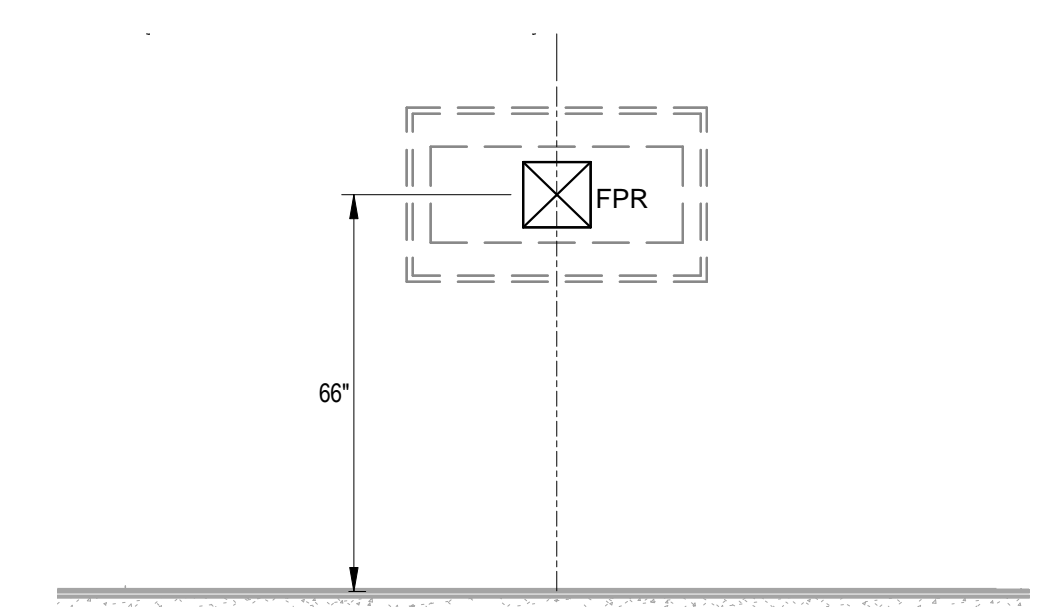
4 WIREMOLD-LEGRAND 10AT 10" POKE-THRU  
AV0.02 2" = 1'-0"



5 AV/TELEHEALTHVR  
AV0.02 3/8" = 1'-0"



6 DENTAL CLASSROOM  
AV0.02 3/8" = 1'-0"



7 TYPICAL FLAT PANEL DISPLAY  
AV0.02 3/8" = 1'-0"

TYPE	NOMINAL CASE SIZE			BACKING			
	NOMINAL IMAGE DIAGONAL	HEIGHT (H)	WIDTH (W)	NOMINAL WEIGHT	HEIGHT (H)	WIDTH (W)	
	65"	34"	59"	4"	77"	24"	48"
	75"	38"	67"	4"	113"	36"	64"
	85"	44"	76"	4"	134"	38"	80"
	98"	48"	87"	4"	183"	48"	96"
	103"	52"	92"	4"	250"	48"	96"

8 DISPLAY LEGEND  
AV0.02 NTS

Revisions:		
#	Description	Date

Designed By: Drawn By: Checked By:

The drawings, specifications and other documents, including those in electronic form prepared by Halfer for this project are instruments of service, and may be used solely with respect to this project. The documents may not be reproduced or modified by a third party without first obtaining the express written consent of Halfer. Authorized use of electronic media or files does not guarantee that these files contain complete and accurate information. In order to insure the accuracy of the information contained and that no changes or modifications have been made, these files must be compared to the project's contract documents with stamped and sealed certification and applicable approved modifications.

Sheet title:

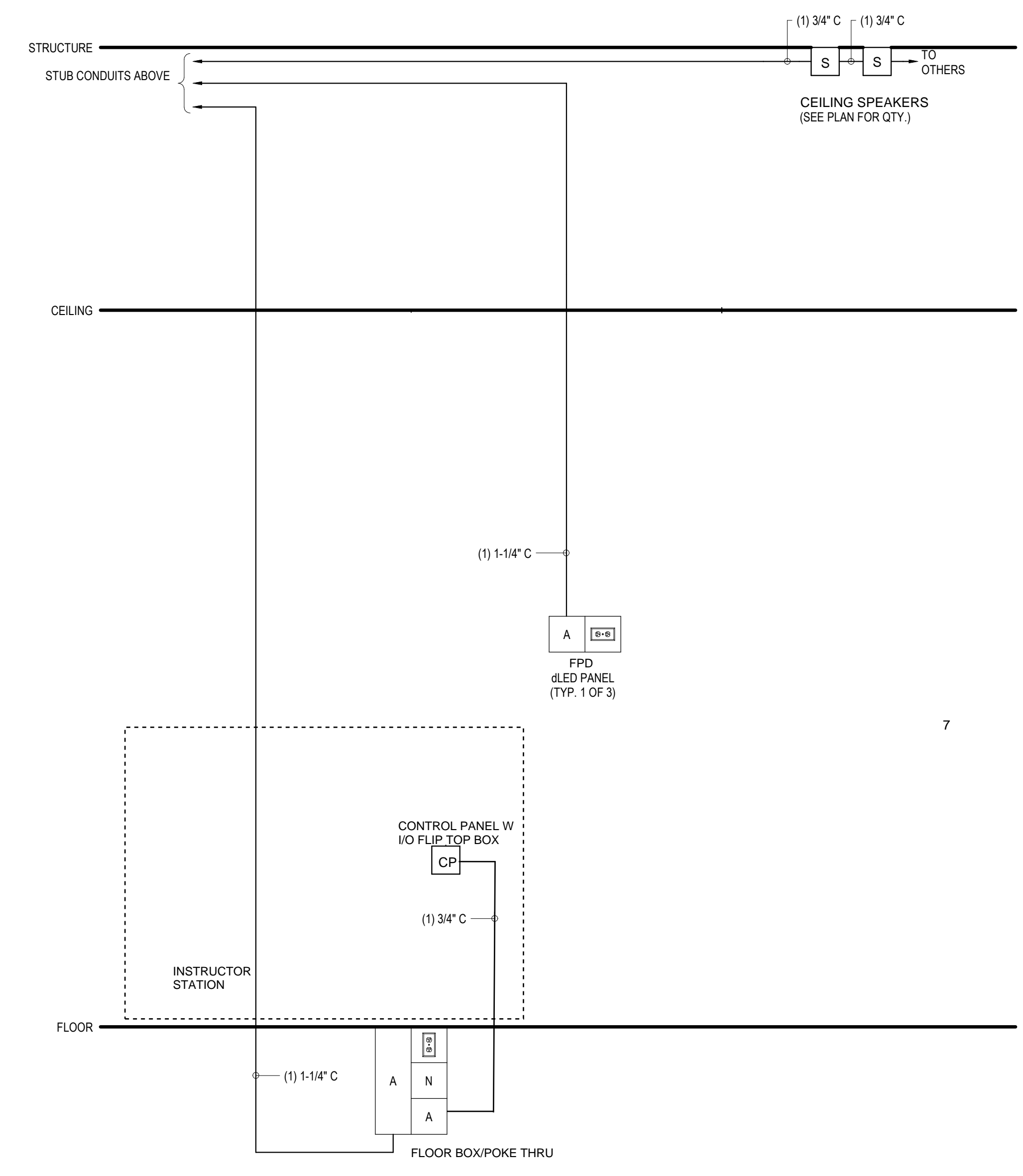
**RISER DIAGRAMS**

Architect's Project No: Date:

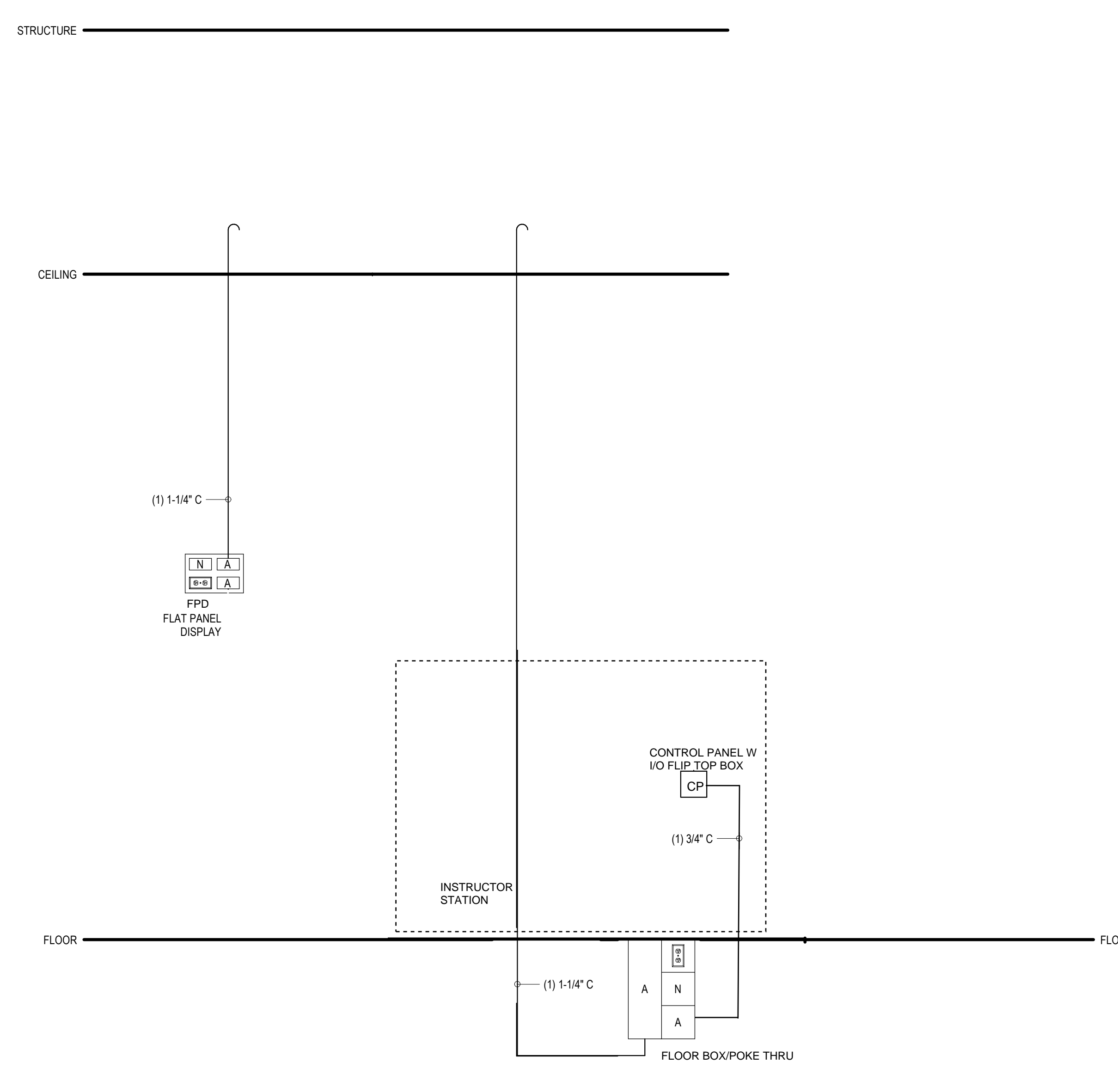
2306-238 APRIL 11, 2024

Drawing No:

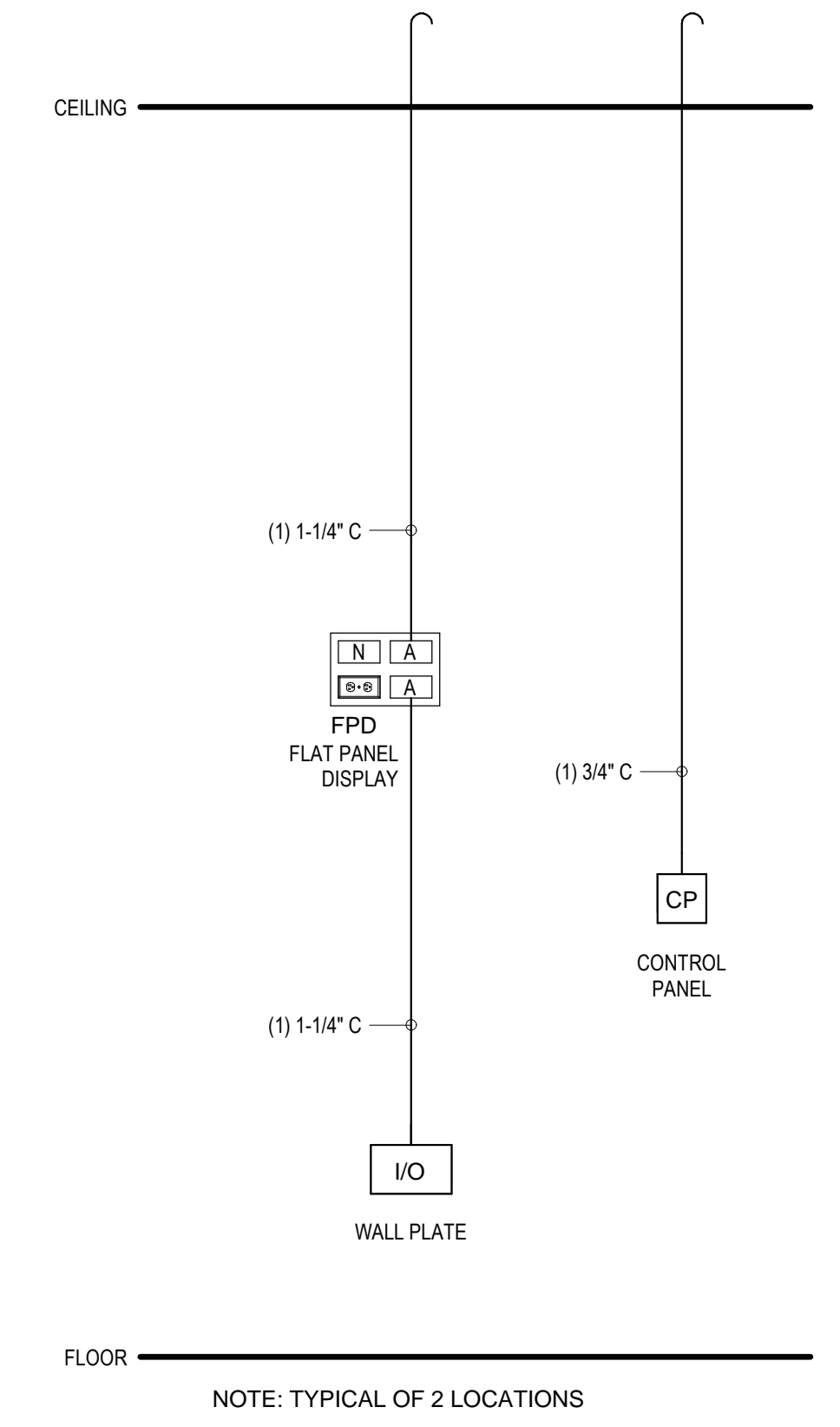
**AV0.03**



1 DENTAL CLASSROOM  
AV0.03 NTS

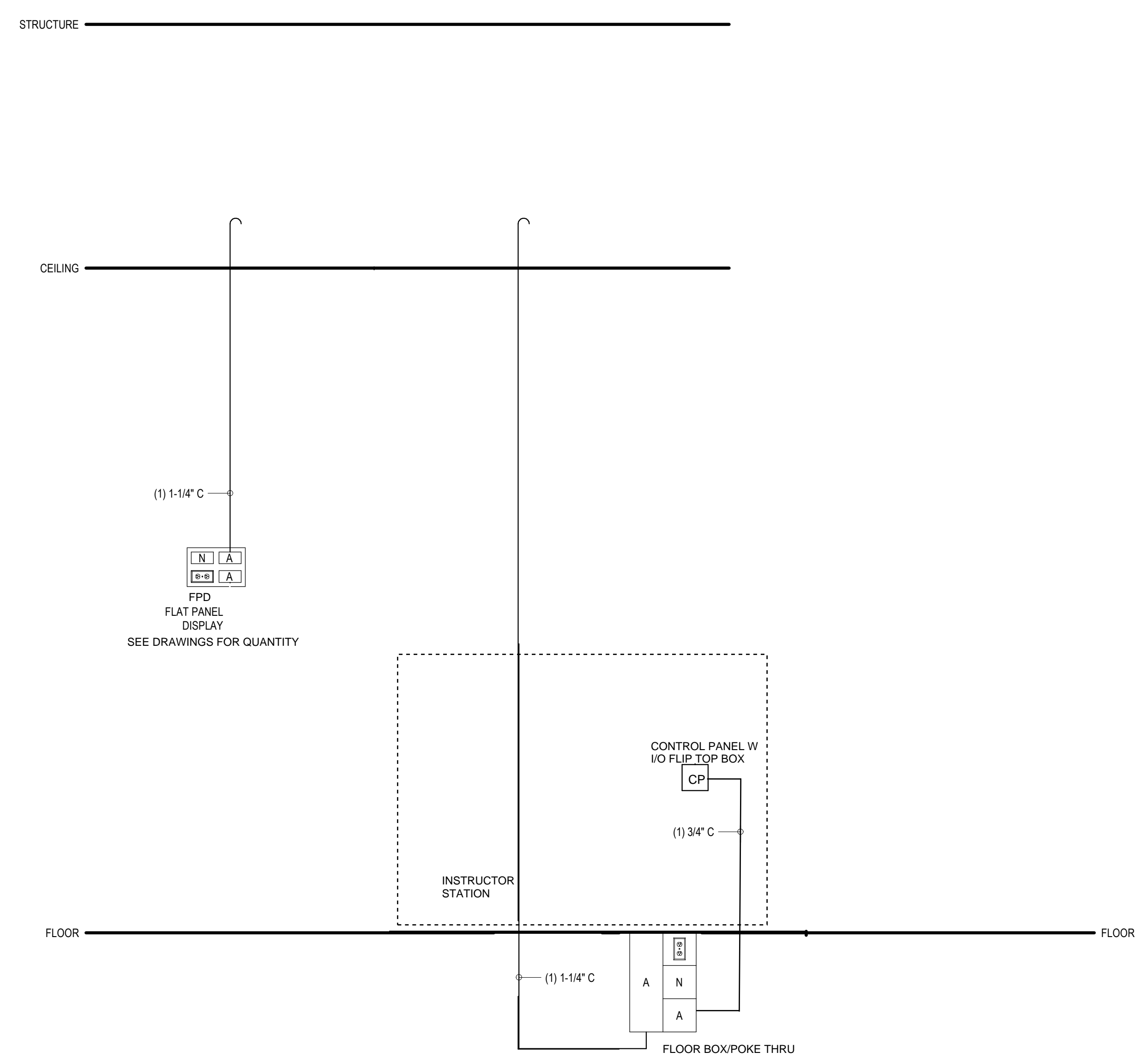


2 SINGLE FLAT PANEL DISPLAY - TYPICAL  
AV0.03 NTS

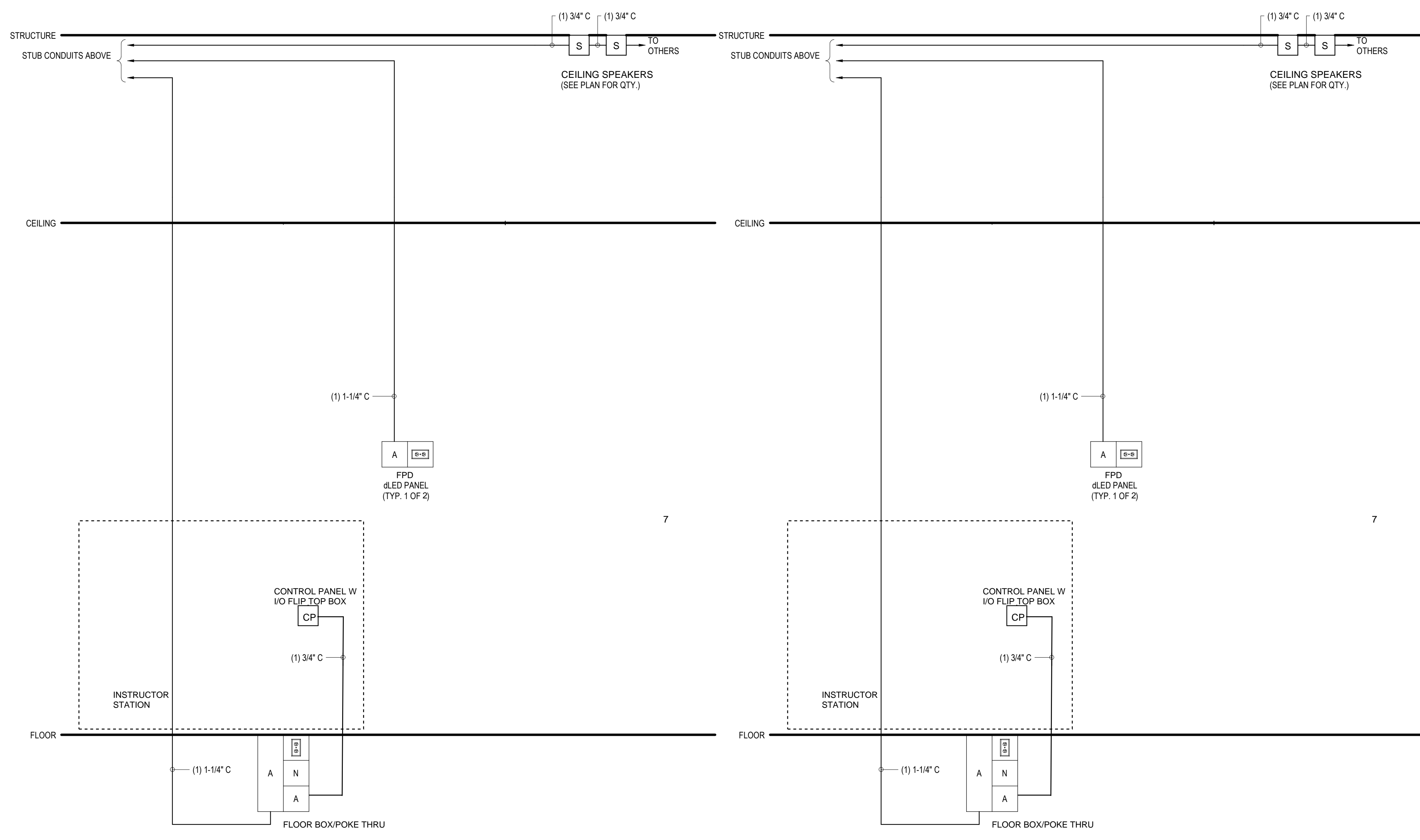


5 A/TELEMED/VR ROOM  
AV0.03 NTS

NOTE: TYPICAL OF 2 LOCATIONS



3 MULTIPLE FLAT PANEL DISPLAY - TYPICAL  
AV0.03 NTS



4 SHARED CLASSROOM  
AV0.03 NTS



Stamp

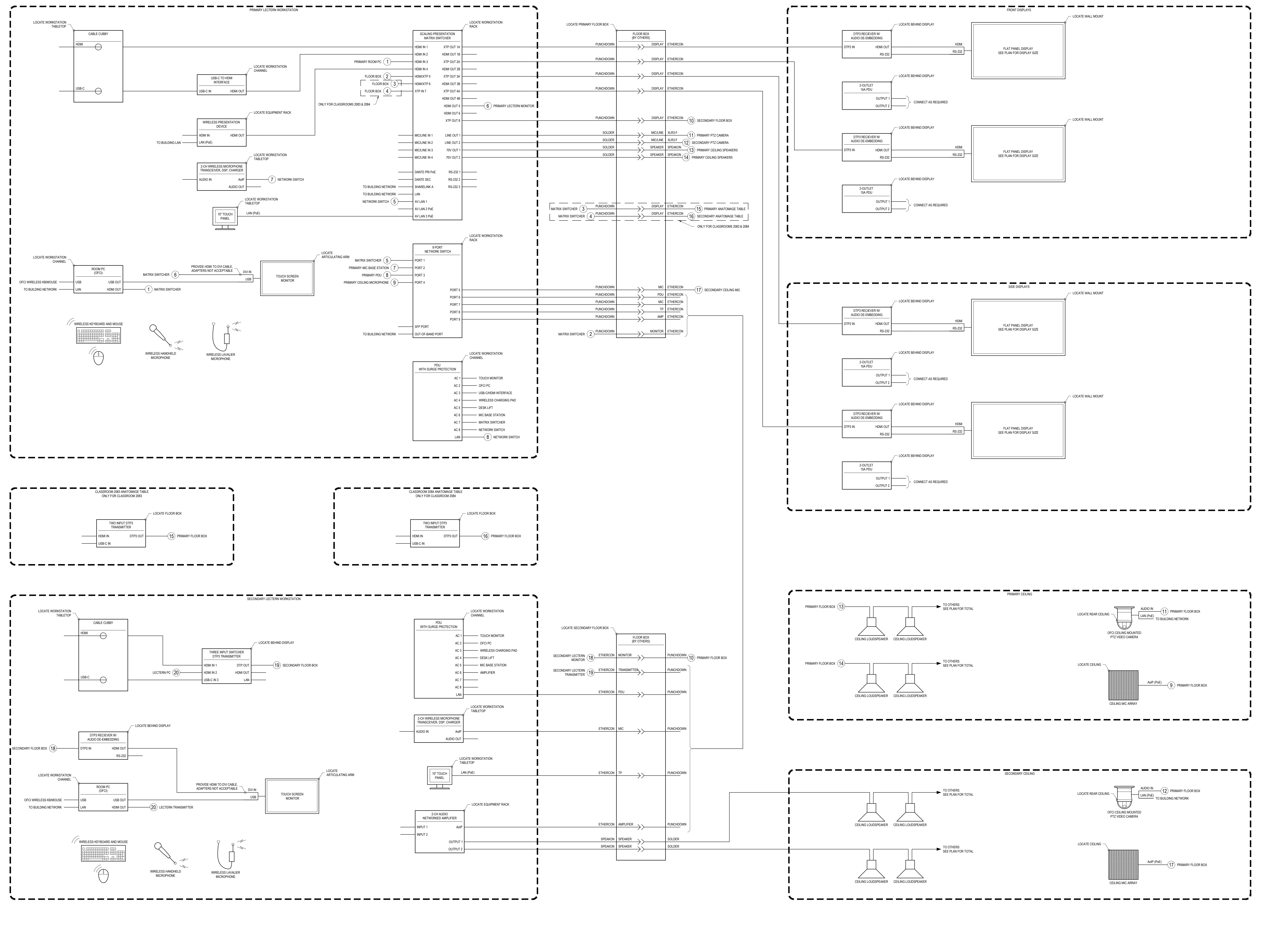
REVISIONS	DESCRIPTION	DATE

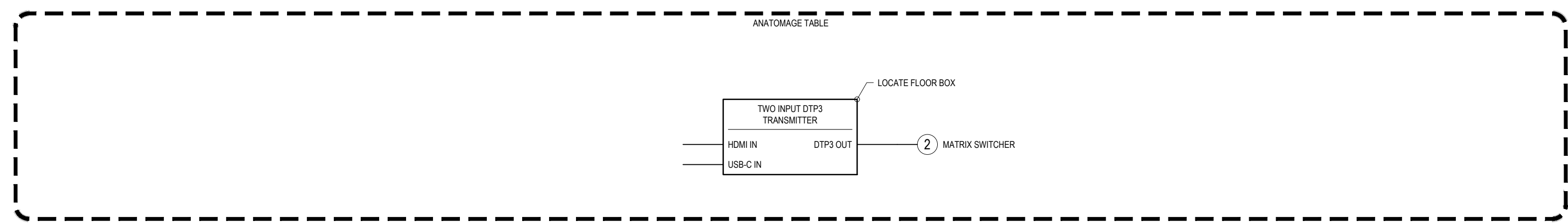
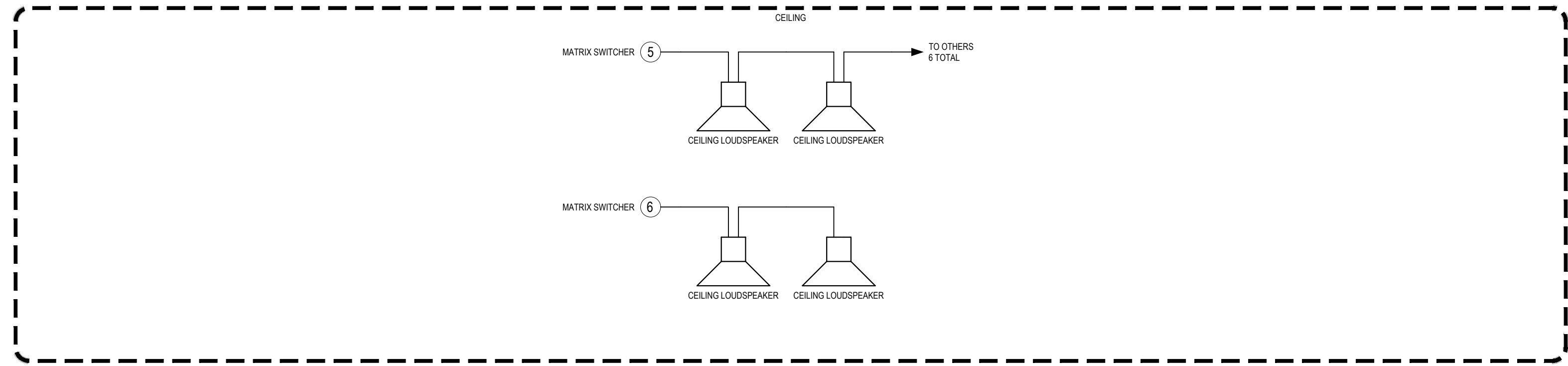
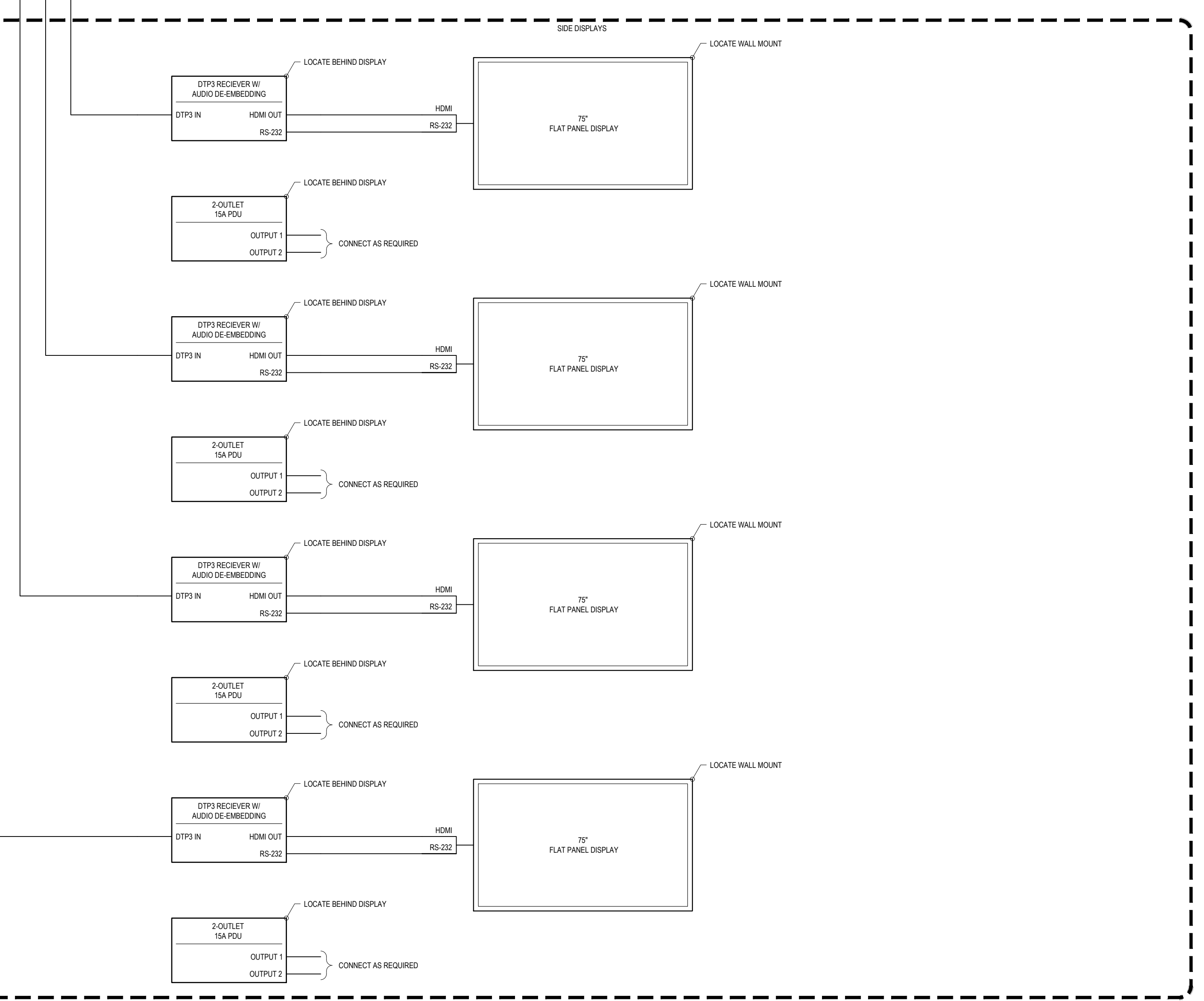
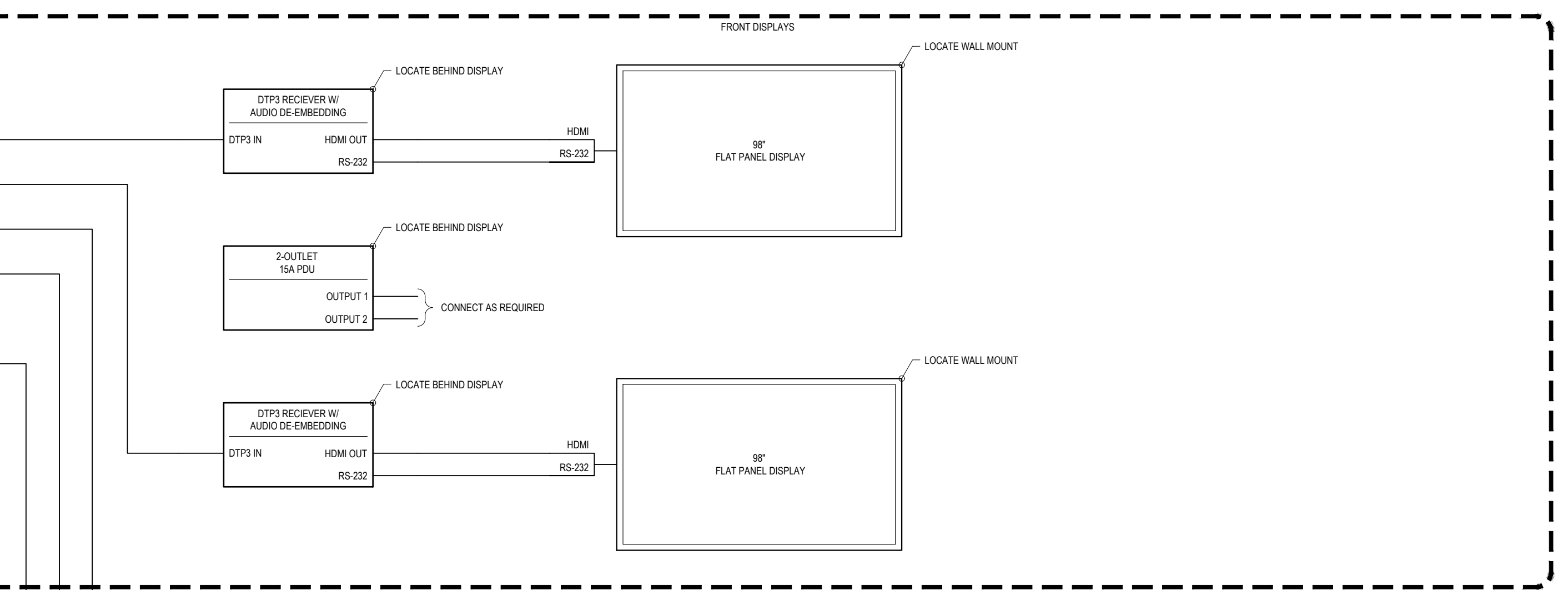
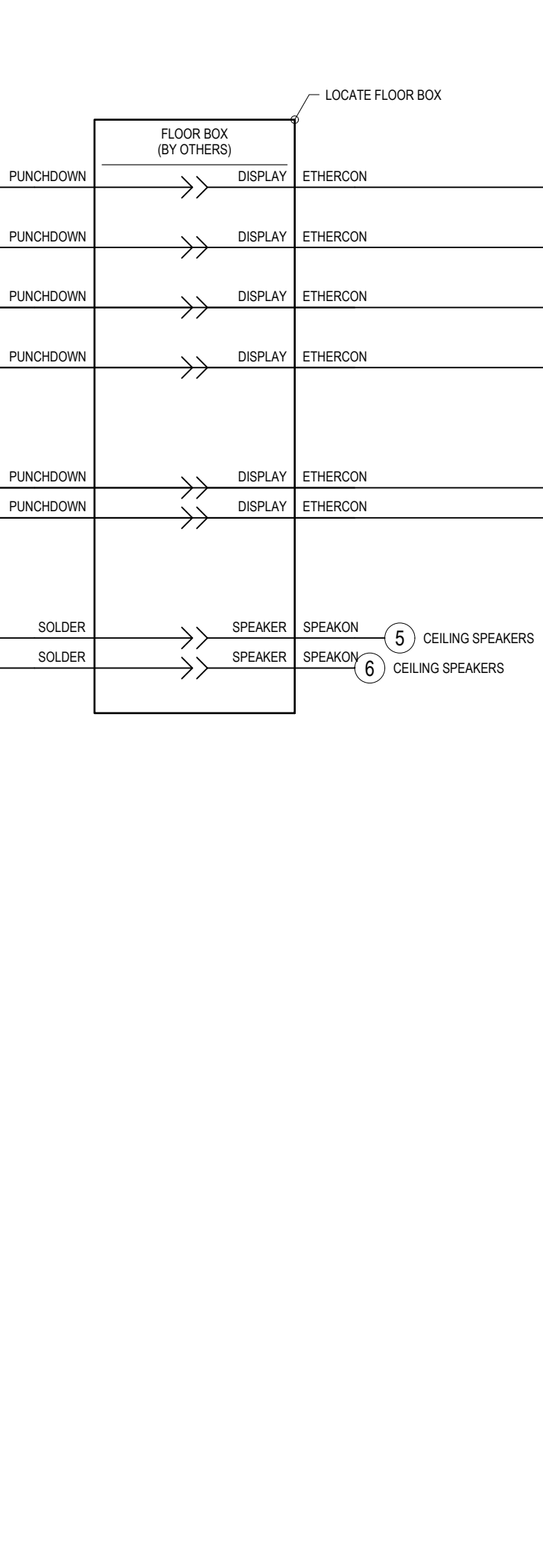
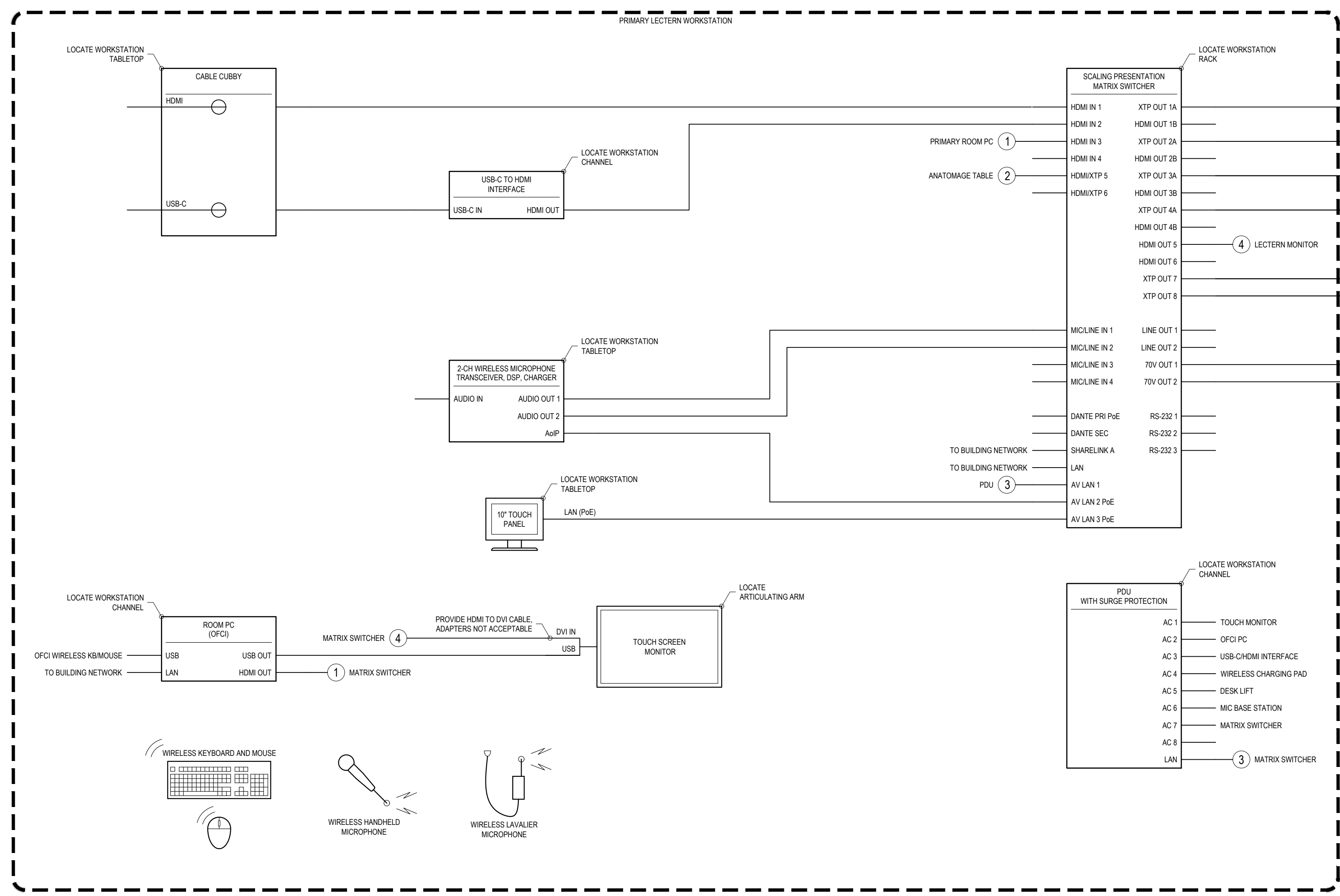
Project No.: 4067  
Checked By: TS  
Designed By: MU  
Drawn By: MJ  
Date: 08/06/24

UNIVERSITY OF SOUTHERN INDIANA  
 HEALTH PROFESSIONS CENTER  
 RENOVATION AND ADDITION 2024

SHEET NAME: SY03 COMBINE/DIVIDE CLASSROOM  
 SHEET NUMBER: AVS02

JOB NUMBER





1 AVS03 SY04 IMMERSIVE LEARNING LAB L101 - QTY 1 SCALE: NTS

1501 Reedsdale Street  
Suite 300  
Pittsburgh, PA 15233  
412.323.8580

**NV5**  
WWW.NV5.COM/TECH  
AV • IT • SECURITY • ACOUSTICS • LIGHTING

Stamp

REVISIONS	DESCRIPTION	DATE

Project No.: 4067  
Checked By: TS  
Designed By: MJ  
Drawn By: MJ  
Date: 08/06/24

SHEET NAME: SY04 IMMERSIVE LEARNING LAB L101 & SY05 CONFERENCE ROOM  
**UNIVERSITY OF SOUTHERN INDIANA  
HEALTH PROFESSIONS CENTER  
RENOVATION AND ADDITION 2024**  
SHEET NUMBER

**AVS03**  
JOB NUMBER

# University of Southern Indiana

## Health Professions Center Renovation and Addition 2024

Audiovisual Systems					
Bidding Equipment List					
ID	Manufacturer	Model	Item / Description	Unit Qty	Bidding Notes

Number : **SY03**

Type : **Classroom**

Name : **Combine/Divide Display Classrooms - 2004 & 2006, 2046 & 2047, 2083 & 2084**

Qty : **1**

### Display Surfaces

1	Christie	UHD65x-L	65" Professional LED Backlit 16/7 Display w/Built-In Speakers and OPS Slot, 3840x2160 Native (Latest Model)	2	-
2	Christie	UHD75x-P	75" Professional LED Backlit 24/7 Display w/ Built-In Speakers and OPS Slot, 3840x2160 Native (Latest Model)	4	-
3	Christie	UHD86x-P	86" Professional LED Backlit 24/7 Display w/Built-In Speakers and OPS Slot, 3840x2160 Native (Latest Model)	2	-
4	PrimeView	PRV110KLCDR	110" Professional LED Backlit 3840x2160 Native LCD Monitor	4	-
5	Chief	XTM1U	X-Large FUSION Micro-Adjustable Tilt Wall Mount	6	-
6	Middle Atlantic	PDX-215C	2 Outlet, 15 Amp Compact Power with Multi-Stage Surge Protection	6	-
7	Wacom	DTH-2452	23.8" Full-HD Pen Display with Multi-Touch Functionality	6	-
8	Chief	K2P110B	Kontour K2P Articulating Pole Mount, Single Monitor	6	-

### Display Devices

9	Extron	DTP3 R 201	4K/60 HDMI DTP3 Receiver with Audio De-Embedding	15	-
---	--------	------------	--	----	---

### Source Devices

10	Owner Furnished	Instructor Workstation	Owner Furnished Instructor's Workstation PC (OFCl)	6	A
11	Owner Furnished	Wired Keyboard and Mouse	Owner Furnished Wireless Keyboard and Mouse (OFCl)	6	A

### Video Capture, Streaming and Conferencing

12	Axis	M5525E	PTZ Network Camera (OFCl)	6	A
----	------	--------	---------------------------	---	---

### Signal Processing, Routing, and Distribution

13	Extron	DTP3 CrossPoint 662 IPCP A SL	4K/60 Presentation Matrix Switcher Configurable from 6x8 to 8x6, Control Processor, Amplifier and ShareLink	3	-
14	Extron	USB-C HD 101	USB-C to HDMI Interface	3	-
15	Extron	TLP Pro 1025T	10" Tabletop TouchLink Pro Touch Panel	6	D
16	Extron	DTP3 T 212 D	Two Input 4K/60 DTP3 Transmitter for USB-C and HDMI – Decorator-Style Wallplate	2	-
17	Extron	DTP3 T 201	4K/60 HDMI DTP3 Receiver with Audio De-Embedding	3	-
18	Extron	ShareLink Pro 2000	4K Wireless Presentation System	3	-
19	Netgear	M4250-9G1F-PoE+	9-Port (1) 1G (8) POE+ (110W), (1) SFP, AV Line Managed Network Switch	1	-

### Speech Reinforcement System/Audio Conferencing

20	Extron	SF 228T Plus	8" Two-Way SoundField Ceiling Tile Speaker, Priced Individually Sold as Pair	48	-
21	Shure	MXWAPXD2	2-CH Wireless Receiver w/ DSP, 2x Charging Dock, Dante and Bluetooth Compatibility	6	-
22	Shure	MXW2/SM58--Z10	Handheld Transmitter w/ SM58 Microphone, Z10 Frequency Band	6	-
23	Shure	MXW1/O--Z10	Bodypack Transmitter w/ Omnidirectional Microphone and 4-Pin Mini Connector (TA4M), Z10 Frequency Band (Black Only)	6	-
24	Shure	MXA920W-S	Square Ceiling Microphone Array, Dante (White Only)	6	-
25	Extron	NetPA U 1002-70V	2-CH, 100W @ 70V Amplifier with Local and Dante Inputs, Integrated DSP	3	-

# University of Southern Indiana

## Health Professions Center Renovation and Addition 2024

Audiovisual Systems					
Bidding Equipment List					
ID	Manufacturer	Model	Item / Description	Unit Qty	Bidding Notes

Number : **SY03**

Type : **Classroom**

Name : **Combine/Divide Display Classrooms - 2004 & 2006, 2046 & 2047, 2083 & 2084**

Qty : **1**

<b>Rack, Panels, Misc.</b>					
26	Middle Atlantic	RLNK-915R	9 Outlet, 15 Amp Rack Mount PDU w/ RackLink	6	-
27	Heckler	Lectern 6U	Lectern w/ Extron AAP 104 Insert, Courtsey IO Insert, Shure Microphone Insert, Cup Holder, Desk Pad, Bag Hook and Casters	6	-
28			Installation Materials as Defined in AV Systems Specification	Lot	
29			Custom Wall/Floor Box and Decorator-Style Plates as Needed	Lot	
30			Pre-Made Loose Cabling and Field Cabling as Needed	Lot	
31			Rack Panels, Vents, Mounts, Shelves, Other Equipment Rack Materials as Needed	Lot	
32			Wall, Ceiling Mounts and Mounting Hardware as Needed	Lot	
33			Control System Accessories as Needed	Lot	
34			Power Supplies and Power Distribution as Needed	Lot	
35			Cable Terminations, Cable Dressing, Labels, Ties, Cable Management as Needed	Lot	

**End of System**



# University of Southern Indiana

## Health Professions Center Renovation and Addition 2024

### Audiovisual Systems Bidding Equipment List

ID	Manufacturer	Model	Item / Description	Unit Qty	Bidding Notes
----	--------------	-------	--------------------	----------	---------------

Number : **SY04**

Type : **Lab**

Name : **Immersive Learning Lab**

Qty : **1**

#### Display Surfaces

1	Christie	UHD982-P-A	98" Professional LED Backlit 24/7 Display w/Built-In Speakers and OPS Slot, 3840x2160 Native (Latest Model)	2	-
2	Christie	UHD75x-P	75" Professional LED Backlit 24/7 Display w/ Built-In Speakers and OPS Slot, 3840x2160 Native (Latest Model)	4	-
3	Chief	XTM1U	X-Large FUSION Micro-Adjustable Tilt Wall Mount	6	-
4	Middle Atlantic	PDX-215C	2 Outlet, 15 Amp Compact Power with Multi-Stage Surge Protection	6	-
5	Wacom	DTH-2452	23.8" Full-HD Pen Display with Multi-Touch Functionality	1	-
6	Chief	K2P110B	Kontour K2P Articulating Pole Mount, Single Monitor	1	-

#### Display Devices

7	Extron	DTP3 R 201	4K/60 HDMI DTP3 Receiver with Audio De-Embedding	6	-
---	--------	------------	--	---	---

#### Source Devices

8	Owner Furnished	Instructor Workstation	Owner Furnished Instructor's Workstation PC (OFCI)	1	A
9	Owner Furnished	Wired Keyboard and Mouse	Owner Furnished Wireless Keyboard and Mouse (OFCI)	1	A

#### Signal Processing, Routing, and Distribution

10	Extron	DTP3 CrossPoint 662 IPCP A SL	4K/60 Presentation Matrix Switcher Configurable from 6x8 to 8x6, Control Processor, Amplifier and ShareLink	1	-
11	Extron	USB-C HD 101	USB-C to HDMI Interface	1	-
12	Extron	TLP Pro 1025T	10" Tabletop TouchLink Pro Touch Panel	1	D
13	Extron	DTP3 T 212 D	Two Input 4K/60 DTP3 Transmitter for USB-C and HDMI – Decorator-Style Wallplate	1	-

#### Speech Reinforcement System/Audio Conferencing

14	Extron	SF 228T Plus	8" Two-Way SoundField Ceiling Tile Speaker, Priced Individually Sold as Pair	8	-
15	Shure	MXWAPXD2	2-CH Wireless Receiver w/ DSP, 2x Charging Dock, Dante and Bluetooth Compatibility	1	-
16	Shure	MXW2/SM58=-Z10	Handheld Transmitter w/ SM58 Microphone, Z10 Frequency Band	1	-
17	Shure	MXW1/O=-Z10	Bodypack Transmitter w/ Omnidirectional Microphone and 4-Pin Mini Connector (TA4M), Z10 Frequency Band (Black Only)	1	-

#### Rack, Panels, Misc.

18	Middle Atlantic	RLNK-915R	9 Outlet, 15 Amp Rack Mount PDU w/ RackLink	1	-
19	Heckler	Lectern 6U	Lectern w/ Extron AAP 104 Insert, Courtsey IO Insert, Shure Microphone Insert, Cup Holder, Desk Pad, Bag Hook and Casters	1	-
20			Installation Materials as Defined in AV Systems Specification	Lot	
21			Custom Wall/Floor Box and Decorator-Style Plates as Needed	Lot	
22			Pre-Made Loose Cabling and Field Cabling as Needed	Lot	
23			Rack Panels, Vents, Mounts, Shelves, Other Equipment Rack Materials as Needed	Lot	
24			Wall, Ceiling Mounts and Mounting Hardware as Needed	Lot	
25			Control System Accessories as Needed	Lot	
26			Power Supplies and Power Distribution as Needed	Lot	
27			Cable Terminations, Cable Dressing, Labels, Ties, Cable Management as Needed	Lot	

#### End of System